



Report Type

Residential

Job Name: 123 Main St, Orlando, FL 54321

COMPANY INFORMATION

John Smith
John Smith Roofing
789-456-123
johnsmithroofing@gmail.com

TABLE OF CONTENTS

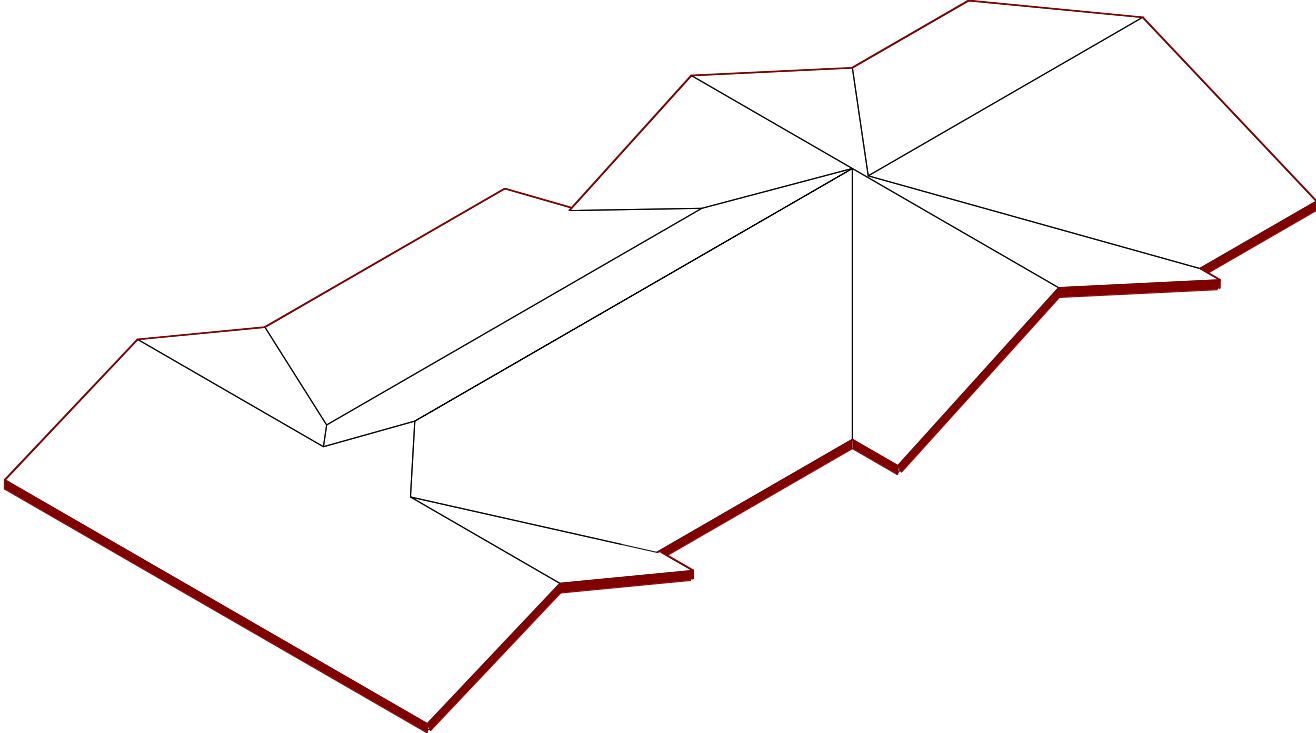
- Cover Page
- Fascias 3D View
- Fascias Top View
- Soffits 3D View
- Soffits Top View

Measurements by [Skyview Estimator](#)

FASCIA 3D VIEW

Soffit and Fascia Report

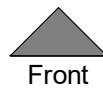
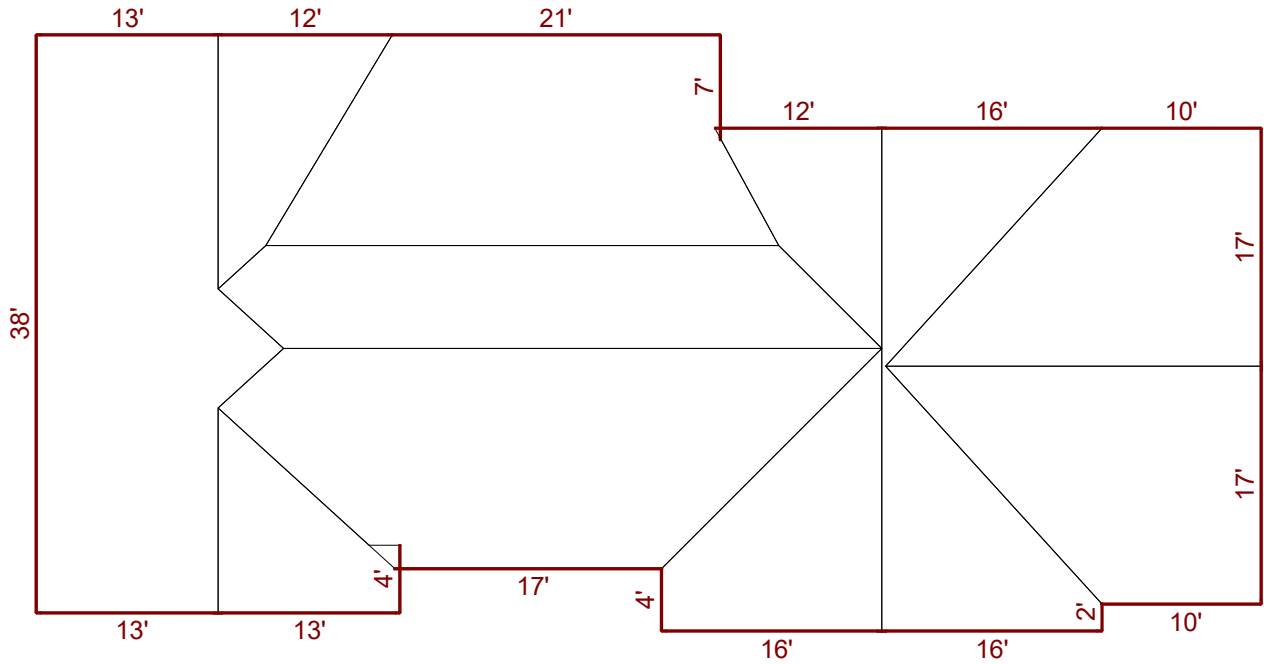
Job Name: 123 Main St, Orlando, FL 54321



FASCIA DIAGRAM

Soffit and Fascia Report

Job Name: 123 Main St, Orlando, FL 54321



TOTAL LINEAL FOOTAGE **WITH** SLOPE FACTOR INCLUDED.

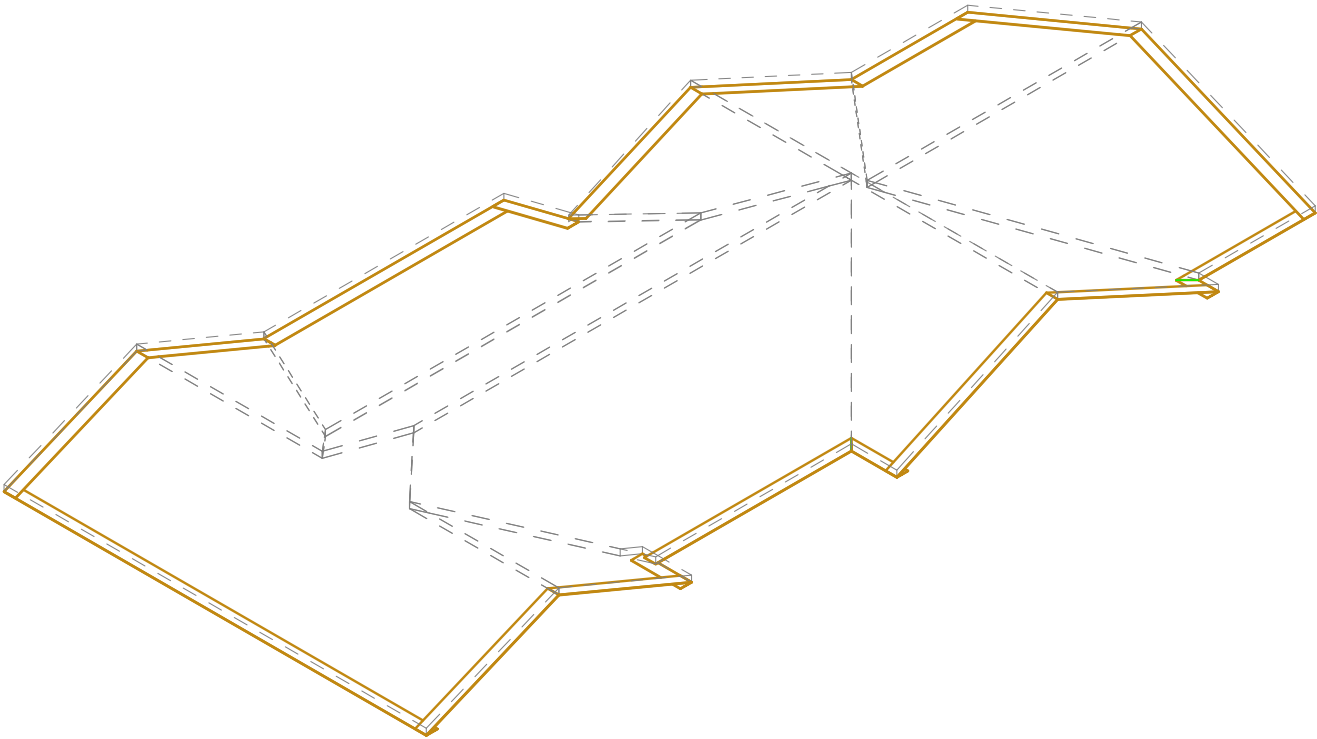
Fascia Report Summary		
Total Length	Fascia Required	
258 LF	Length: 297 LF	Pcs: 25

FOR ESTIMATION ONLY: VERIFY ALL DIMENSIONS PRIOR TO PURCHASE OF MATERIALS. NO GUARANTEES CAN BE MADE AS TO INSTALLATION AND LOCAL CODE REQUIREMENTS.

SOFFIT 3D VIEW

Soffit and Fascia Report

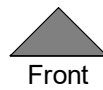
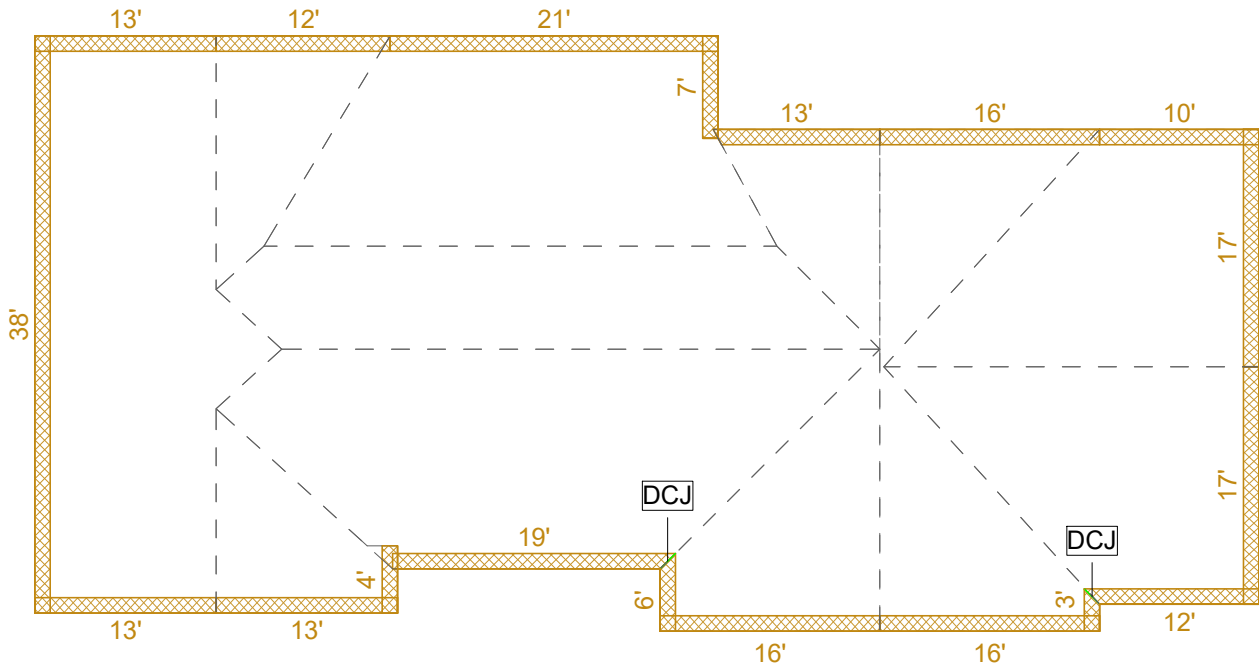
Job Name: 123 Main St, Orlando, FL 54321



SOFFIT DIAGRAM

Soffit and Fascia Report

Job Name: 123 Main St, Orlando, FL 54321



TOTAL LINEAL FOOTAGE **WITH** SLOPE FACTOR INCLUDED.

Soffit Report Summary

Overhangs:	12" Panel: Length 306 LF PCS 27	16" Panel: Length 230 LF PCS 20	F/J Channel: Total Length 306 LF PCS 27	Roof Corners: 2	Double Channel: Total Length 2 LF PCS 1
1'					

FOR ESTIMATION ONLY: VERIFY ALL DIMENSIONS PRIOR TO PURCHASE OF MATERIALS. NO GUARANTEES CAN BE MADE AS TO INSTALLATION AND LOCAL CODE REQUIREMENTS.